

PPC-F H81 Series



Intelligent Industrial Panel PC



- Support iRIS-2400 IEI remote intelligent solution
- Scalable Intel® H81 chipset supports LGA1150 Intel® 4th generation Core™ i7/i5/i3, Pentium® or Celeron® processor with up to 65W TDP
- Robust IP65 aluminum front bezel
- Aesthetic ultra-thin bezel for seamless panel mount installation
- Projected capacitive multi-touch
- Dual full-size PCIe Mini card expansion
- AC/ DC power input options (DC model by build to order manufacturing)



Specifications

Model		PPC-F15A	PPC-F17A	PPC-F22A	PPC-F24A
LCD	LCD Display	15" (4:3)	17" (5:4)	21.5" (16:9)	24" (16:9)
	Max Resolution	1024(W) x 768(H)	1280(W) x 1024(H)	1920(W) x 1080(H)	1920(W) x 1080(H)
	Brightness (cd/m ²)	400	350	250	250
	Contrast Ratio	700 : 1	800 : 1	1000 : 1	3000 : 1
	LCD Color	16.2M	16.7M	16.7M	16.7M
	Pixel Pitch (mm)	0.29 x 0.29	0.26 x 0.26	0.25 x 0.25	0.28 x 0.28
	Viewing Angle (H-V)	160° / 140°	170° / 160°	170° / 160°	178° / 178°
	Backlight MTBF (Hrs)	50000	50000	30000	30000
Motherboard	SBC Model	FPPCMB-H81-R10			
	CPU	LGA1150 Intel® 4th generation Core™ i7/i5/i3/Pentium®/Celeron® processor up to TDP 65W			
	Chipset	Intel® H81			
	RAM	Support 2 x 204-pin 1066/1333/1600 MHz dual-channel DDR3 SO-DIMM slot (max. 16G)			
Touch	Resistive type 5-wire single touch window/ Penmount 6000 Projected capacitive 2-point touch window/ EETI EXC7200		Projected capacitive 2-point touch window/ EETI EXC7200		Projected capacitive 2-point touch window/EETI EXC7200
Input Interfaces	I/O Ports & Switch	2 x RJ-45 LAN Port 2 x USB 3.0 4 x USB 2.0 1 x HDMI output 4 x RS-232 1 x RS-422/485		1 x VGA Output 1 x AC/DC power plug (DC model is by build to order manufacturing) 1 x AT / ATX Switch 1 x Clear CMOS 1 x Reset Button 1 x Power Switch	
	Expansion	1 x full size PCIe mini Card 1 x full size PCIe mini Card colay mSATA [SATA2 only]			
Drive Bay	1 x 2.5" HDD/SSD drive bay			1 x 2.5" HDD/SSD drive bay or 1 x 3.5" HDD/SSD drive bay	
iRIS Remote Management Solution		iRIS-2400 slot (optional)			
Physical	Construction Material	Aluminum front cover and sheet metal rear cover			
	Mounting	Panel Mount/ Rack Mount/ 100*100 VESA Mount		Panel Mount/ 100*100 VESA Mount	
	Enclosure Color	Black C			
	Dimension (mm)	303 x 378.5 x 65.7	341.4 x 408.4 x 73.8	350.4 x 550.4 x 71.7	382 x 600 x 71.7
	Cutout Dimensions (mm)	285.6 x 361.1	323 x 390	341 x 536	359.6 x 580.4
	Net/ Gross Weight (Kg)	5.6/ 8.3	7.5/10.7	10.1/14.4	10.5/14.8
Environment	Operating Temperature (with air flow)	-10°C ~ 50°C			
	Storage Temperature	-20°C ~ 60°C			
	Humidity	10% to 95% (non-condensing)			
	IP Level	Front IP 65			
	Safety and EMC	CE & FCC certified			
Power Supply	AC Input	AC Input ATX Power Supply - P/N: ACE-A622A-RS-11 - 220W Power Supply - Input: 90VAC-264VAC, 50/60Hz - Output(max.): 3.3V@14A, 5V@16A, 12V1@16A, 12V2@10A, -12V@0.8A			
	DC Input (produced by order)	DC Input ATX Power Supply - P/N: ACE-4520C-RS - 200W Power Supply - Input: 24VDC, 15A(max) - Output(max.): 3.3V@12A, 5V@12A, 12V@15.4A, -12V@0.5A			

Ordering Information

Part Number	Description
15"	PPC-F15AA-H81i-P/4G/R-R10 15" 400 cd/m ² XGA Panel PC with Intel® H81 chipset, Pentium Dual Core G3220 Processor (3M Cache, 3.00 GHz), TDP 53W, 2GB RAM*2, support iRIS-2400, black color, PSU ACE-A622A, resistive touch window, R10
	PPC-F15AA-H81i-i3/4G/R-R10 15" 400 cd/m ² XGA Panel PC with Intel® H81 chipset, Core™ i3 Dual Core i3-4330 Processor (4M Cache, 3.50 GHz), TDP 54W, 2GB RAM*2, support iRIS-2400, black color, PSU ACE-A622A, resistive touch window, R10
	PPC-F15AA-H81i-i5/4G/R-R10 15" 400 cd/m ² XGA Panel PC with Intel® H81 chipset, Core™ i5 Quad Core i5-4570S Processor (6M Cache, up to 3.60 GHz), TDP 65W, 2GB RAM*2, support iRIS-2400, black color, PSU ACE-A622A, resistive touch window, R10
	PPC-F15AA-H81i-P/4G/PC-R10 15" 400 cd/m ² XGA Panel PC with Intel® H81 chipset, Pentium Dual Core G3220 Processor (3M Cache, 3.00 GHz), TDP 53W, 2GB RAM*2, support iRIS-2400, black color, PSU ACE-A622A, projective capacitive touch window, R10
	PPC-F15AA-H81i-i3/4G/PC-R10 15" 400 cd/m ² XGA Panel PC with Intel® H81 chipset, Core™ i3 Dual Core i3-4330 Processor (4M Cache, 3.50 GHz), TDP 54W, 2GB RAM*2, support iRIS-2400, black color, PSU ACE-A622A, projective capacitive touch window, R10
	PPC-F15AA-H81i-i5/4G/PC-R10 15" 400 cd/m ² XGA Panel PC with Intel® H81 chipset, Core™ i5 Quad Core i5-4570S Processor (6M Cache, up to 3.60 GHz), TDP 65W, 2GB RAM*2, support iRIS-2400, black color, PSU ACE-A622A, projective capacitive touch window, R10
17"	PPC-F17AA-H81i-P/4G/R-R10 17" 350 cd/m ² SXGA Panel PC with Intel® H81 chipset, Pentium Dual Core G3220 Processor (3M Cache, 3.00 GHz), TDP 53W, 2GB RAM*2, support iRIS-2400, black color, PSU ACE-A622A, resistive touch window, R10
	PPC-F17AA-H81i-i3/4G/R-R10 17" 350 cd/m ² SXGA Panel PC with Intel® H81 chipset, Core™ i3 Dual Core i3-4330 Processor (4M Cache, 3.50 GHz), TDP 54W, 2GB RAM*2, support iRIS-2400, black color, PSU ACE-A622A, resistive touch window, R10
	PPC-F17AA-H81i-i5/4G/R-R10 17" 350 cd/m ² SXGA Panel PC with Intel® H81 chipset, Core™ i5 Quad Core i5-4570S Processor (6M Cache, up to 3.60 GHz), TDP 65W, 2GB RAM*2, support iRIS-2400, black color, PSU ACE-A622A, resistive touch window, R10
	PPC-F17AA-H81i-P/4G/PC-R10 17" 350 cd/m ² SXGA Panel PC with Intel® H81 chipset, Pentium Dual Core G3220 Processor (3M Cache, 3.00 GHz), TDP 53W, 2GB RAM*2, support iRIS-2400, black color, PSU ACE-A622A, projective capacitive touch window, R10
	PPC-F17AA-H81i-i3/4G/PC-R10 17" 350 cd/m ² SXGA Panel PC with Intel® H81 chipset, Core™ i3 Dual Core i3-4330 Processor (4M Cache, 3.50 GHz), TDP 54W, 2GB RAM*2, support iRIS-2400, black color, PSU ACE-A622A, projective capacitive touch window, R10
	PPC-F17AA-H81i-i5/4G/PC-R10 17" 350 cd/m ² SXGA Panel PC with Intel® H81 chipset, Core™ i5 Quad Core i5-4570S Processor (6M Cache, up to 3.60 GHz), TDP 65W, 2GB RAM*2, support iRIS-2400, black color, PSU ACE-A622A, projective capacitive touch window, R10
21.5"	PPC-F22AA-H81i-P/4G/PC-R10 21.5" 250 cd/m ² FHD Panel PC with Intel® H81 chipset, Pentium Dual Core G3220 Processor (3M Cache, 3.00 GHz), TDP 53W, 2GB RAM*2, support iRIS-2400, black color, PSU ACE-A622A, projective capacitive touch window, R10
	PPC-F22AA-H81i-i3/4G/PC-R10 21.5" 250 cd/m ² FHD Panel PC with Intel® H81 chipset, Core™ i3 Dual Core i3-4330 Processor (4M Cache, 3.50 GHz), TDP 54W, 2GB RAM*2, support iRIS-2400, black color, PSU ACE-A622A, projective capacitive touch window, R10
	PPC-F22AA-H81i-i5/4G/PC-R10 21.5" 250 cd/m ² FHD Panel PC with Intel® H81 chipset, Core™ i5 Quad Core i5-4570S Processor (6M Cache, up to 3.60 GHz), TDP 65W, 2GB RAM*2, support iRIS-2400, black color, PSU ACE-A622A, projective capacitive touch window, R10
24"	PPC-F24AA-H81i-P/4G/PC-R10 24" 250 cd/m ² FHD Panel PC with Intel® H81 chipset, Pentium Dual Core G3220 Processor (3M Cache, 3.00 GHz), TDP 53W, 2GB RAM*2, support iRIS-2400, black color, PSU ACE-A622A, projective capacitive touch window, R10
	PPC-F24AA-H81i-i3/4G/PC-R10 24" 250 cd/m ² FHD Panel PC with Intel® H81 chipset, Core™ i3 Dual Core i3-4330 Processor (4M Cache, 3.50 GHz), TDP 54W, 2GB RAM*2, support iRIS-2400, black color, PSU ACE-A622A, projective capacitive touch window, R10
	PPC-F24AA-H81i-i5/4G/PC-R10 24" 250 cd/m ² FHD Panel PC with Intel® H81 chipset, Core™ i5 Quad Core i5-4570S Processor (6M Cache, up to 3.60 GHz), TDP 65W, 2GB RAM*2, support iRIS-2400, black color, PSU ACE-A622A, projective capacitive touch window, R10

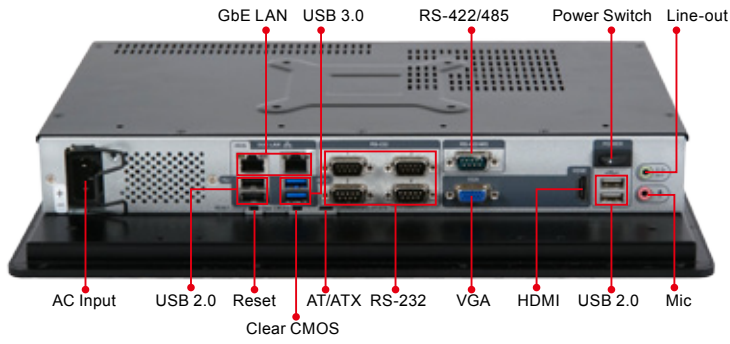
* DC power supply SKU is available with particular purchase.

Options

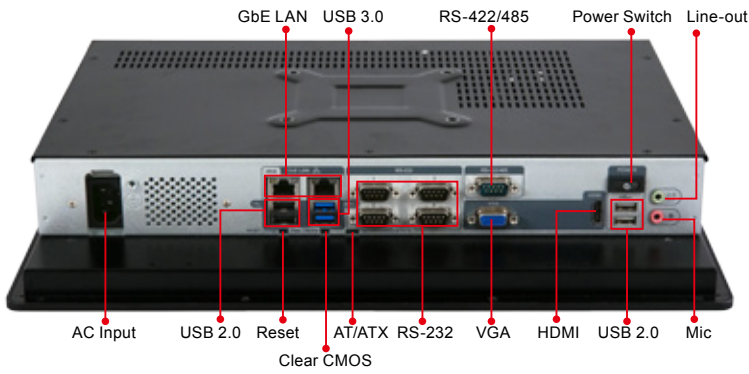
Item	PPC-F15A	PPC-F17A	PPC-F22A	PPC-F24A
ARM	ARM-31-RS	ARM-31-RS	ARM-31-RS	ARM-31-RS
Stand	STAND-A21 STAND-A19-RS STAND-C19-R10	STAND-C19-R10 STAND-A21-R10	STAND-C19-R10 STAND-A21-R10	STAND-C19-R10 STAND-A21-R10
Wall Mount Kit	WK-190MS-R10			
Panel Mount Kit	FPK-04-R10		FPK-05-R10	FPK-06-R10
Rack Mount Kit	FRK15-R10	FRK17-R10	N/A	
WiFi Kit	PPC-WL-KIT02-R11		PPC-WL-KIT03-R11	
iRIS kit (IEI Remote Intelligent System)	iRIS-2400-R10			

Packing List

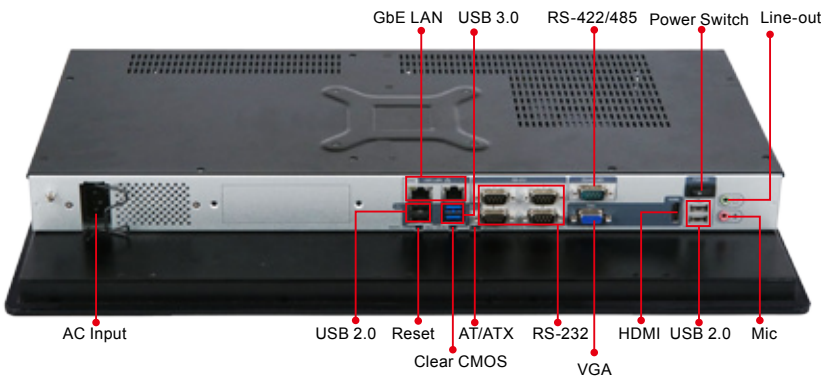
Item	Q'ty	Remark
Driver CD	1	
One Key Recovery CD	1	
Power Cord	1	Depends on shipping region
Screw Kit	1	
Touch Pen	1	Resistive touch only



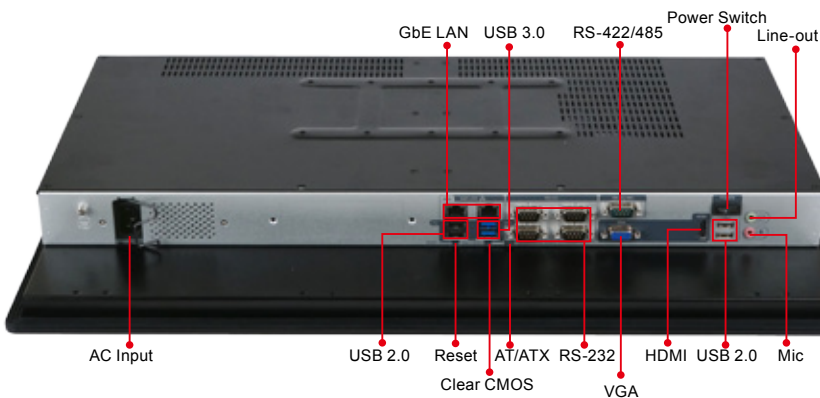
PPC-F15A



PPC-F17A



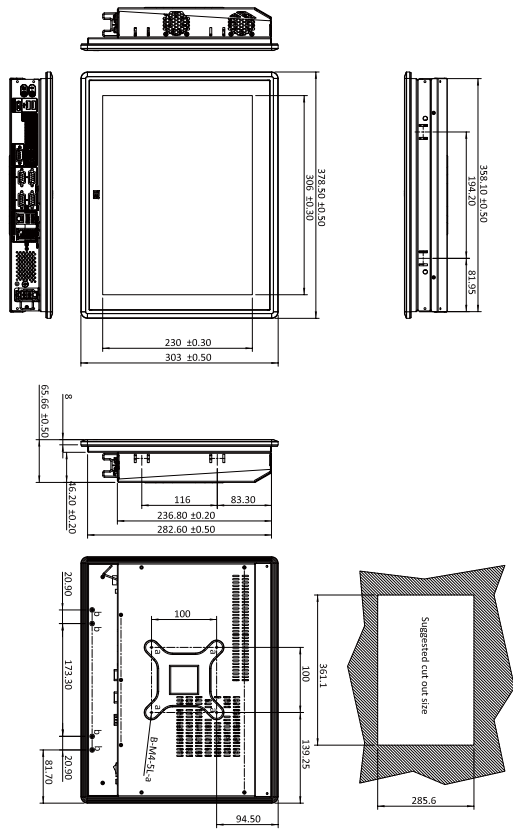
PPC-F22A



PPC-F24A

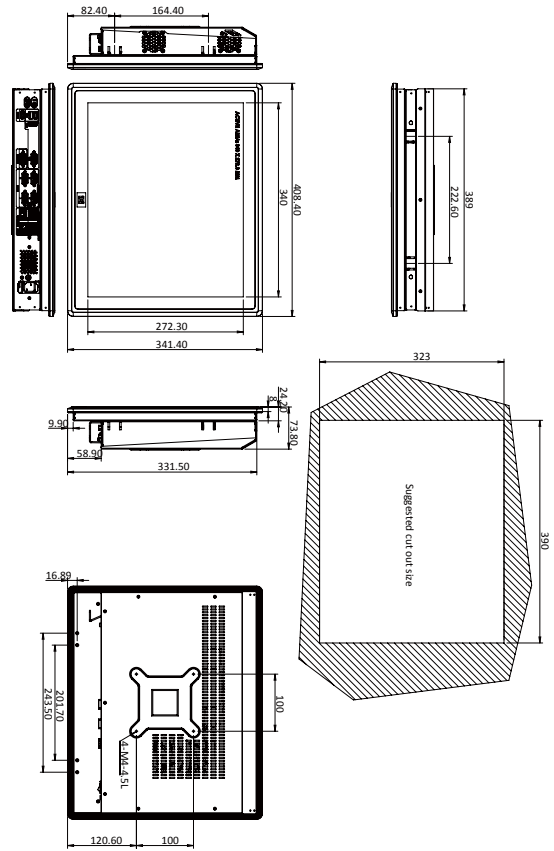
PPC-F15A Dimensions

(Unit: mm)



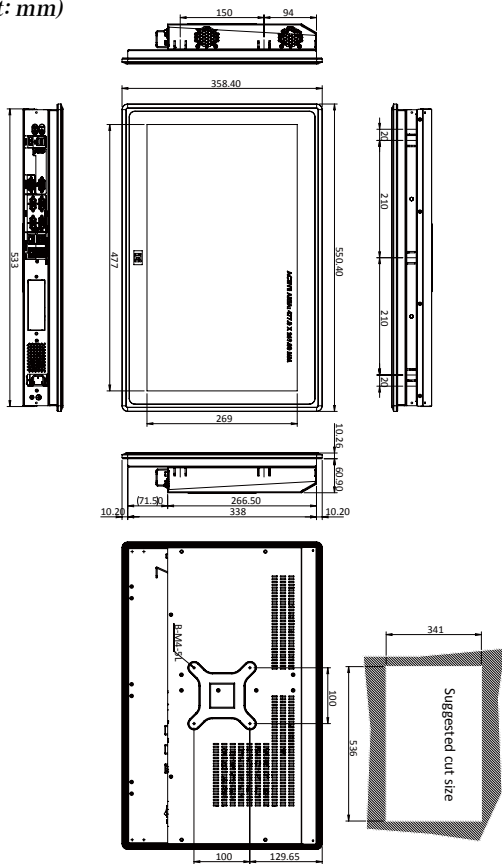
PPC-F17A Dimensions

(Unit: mm)



PPC-F22A Dimensions

(Unit: mm)



PPC-F24A Dimensions

(Unit: mm)

